

SONY

**Car Stereo
Service Bulletin**

Sony Service Company - Technical Services
A Division of Sony Corporation of America
Sony Drive, Park Ridge, New Jersey 07656

Model: XR-250/6300

No. 108

Subject: Part Number Correction - Trim Plate

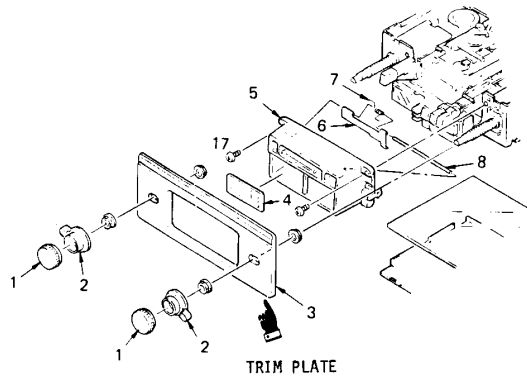
Date: September 19, 1988

Symptom:
(**)

The part number for the XR-250 Trim Plate listed in the XR-250/6300 Service Manual is incorrect. The part number listed for the XR-6300 is correct. Please note the part number correction for the XR-250 listed below:

Solution:

Ref. No.	Description	Part Number	
		Incorrect	Correct
3	Trim Plate XR-250	3-391-716-01	3-391-716- <u>11</u>



CSA-14 Tuner/Tape Deck

Reference: KCP

PRINTED IN U.S.A.
CSA-14888-1